

Double column trolley

- ▶ High quality trolley
- ▶ Storage space behind the screen to arrange equipment and cables. The storage space is equipped with a cover with lock.
- ▶ Installation of mini-PC (left or right) on the frame possible
- ▶ Standard to 800mm VESA width
- ▶ Equipped with 4 braked robust swivel castors with a diameter of 100 mm
- ▶ Also suitable for primary schools in lowest position



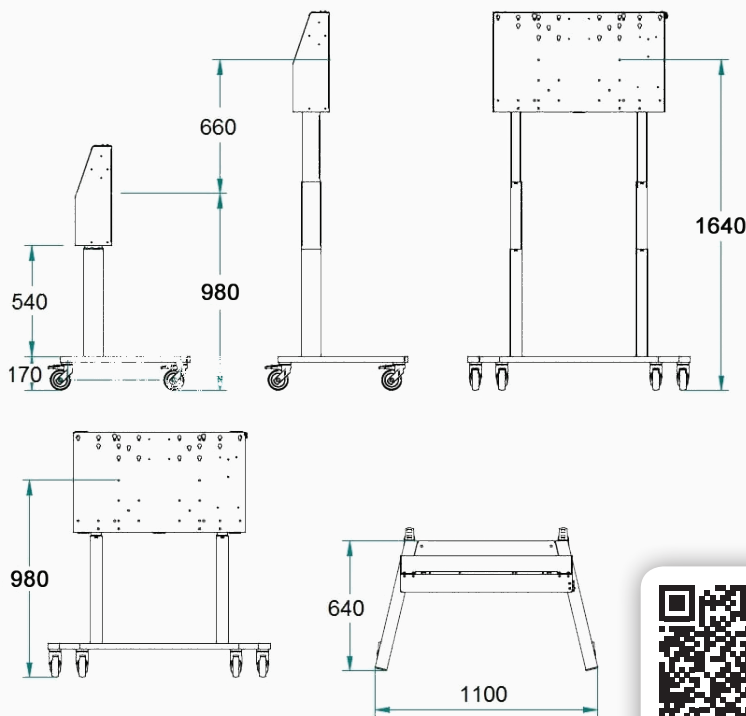
Max. 100 kg Alu / grey 98 - 164 cm 66 cm Safety Stop



VESA (W x H)

- 800 x 400
- 700 x 400
- 600 x 400
- 600 x 230
- 600 x 200
- 500 x 400
- 456 x 400
- 400 x 400
- 400 x 300
- 400 x 200
- 300 x 400
- 300 x 300
- 200 x 400
- 200 x 200

Technical drawing



Accessories

<p>EFFLAP002G</p> <p>Laptop shelf mounting front 400 x 300 mm</p>	<p>EFFLAP5250</p> <p>Laptop shelf mounting back 400 x 400 mm</p>	<p>CMM01</p> <p>Cable Management Module (3 holes right side)</p>	
<p>CMM03</p> <p>Cable Management Module (4 holes front side)</p>	<p>ELEC041</p> <p>Power strip 6 sockets mountable</p>	<p>ADAP1G</p> <p>VESA (B x H)</p> <ul style="list-style-type: none"> 800 x 600 600 x 600 800 x 500 600 x 500 <p>VESA Adapter set grey</p>	
<p>EFFSOUNDZ01</p> <p>Mounting plate for soundbar</p>	<p>EFFHAND</p> <p>Handle set</p>	<p>HOOKA1</p> <p>Cable hook alu / grey</p>	<p>EFHASPEL</p> <p>Cable reel</p>

