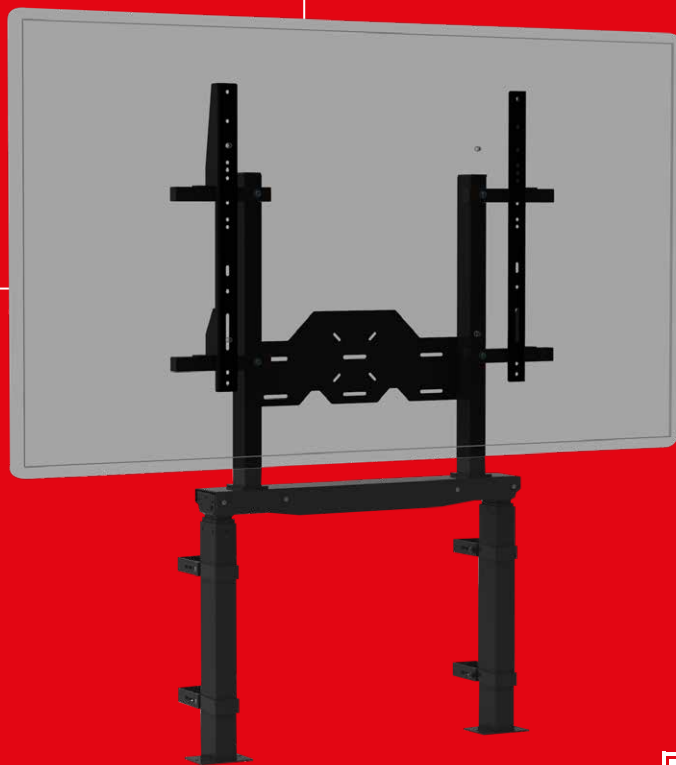


Compact Wall

EFFW2231Z

Slimline



Your message always supported.

Installation manual

ergoxs.com

ERGO
XS

Compact Wall

EFFW2231Z

Slimline



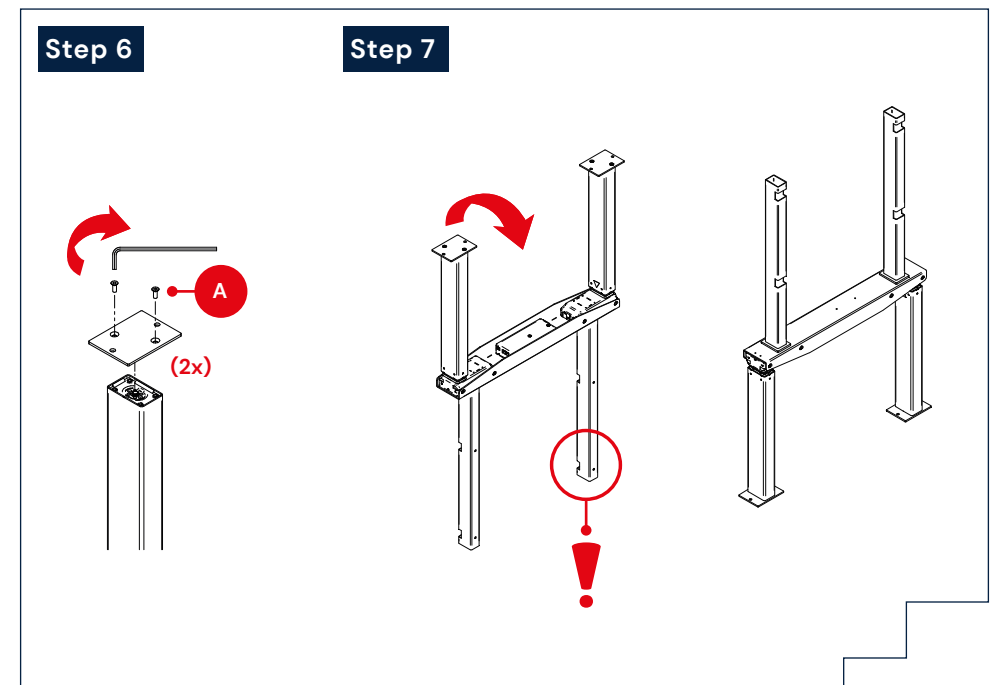
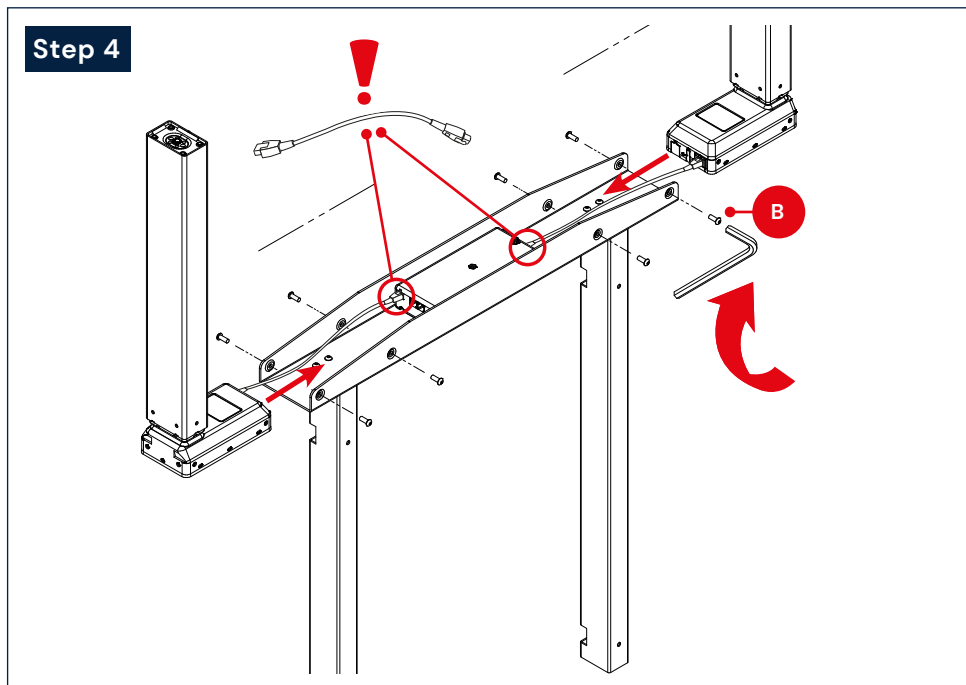
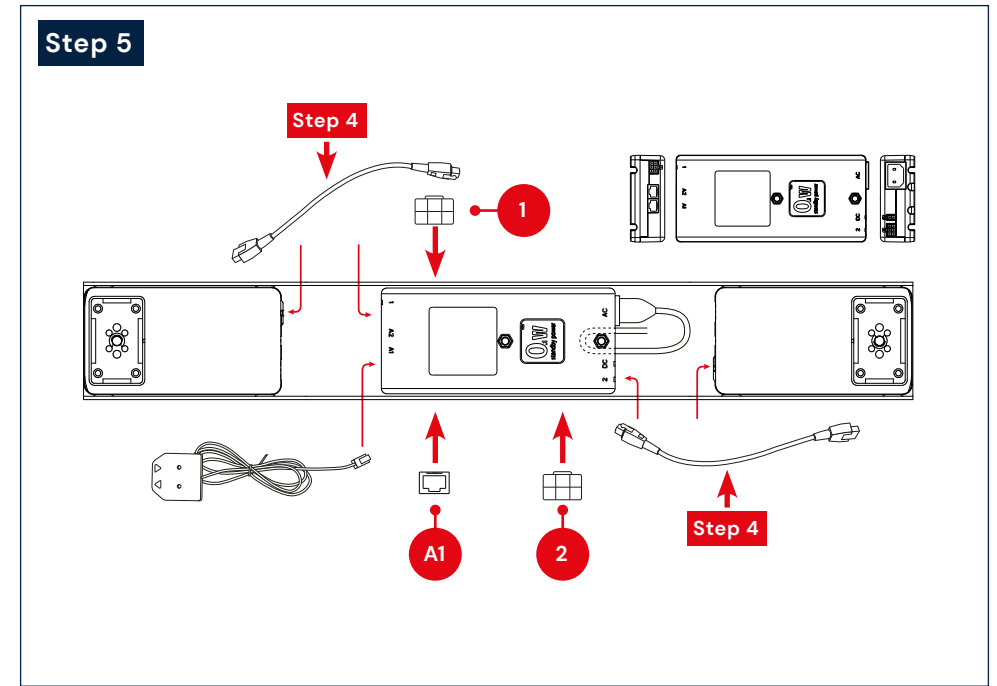
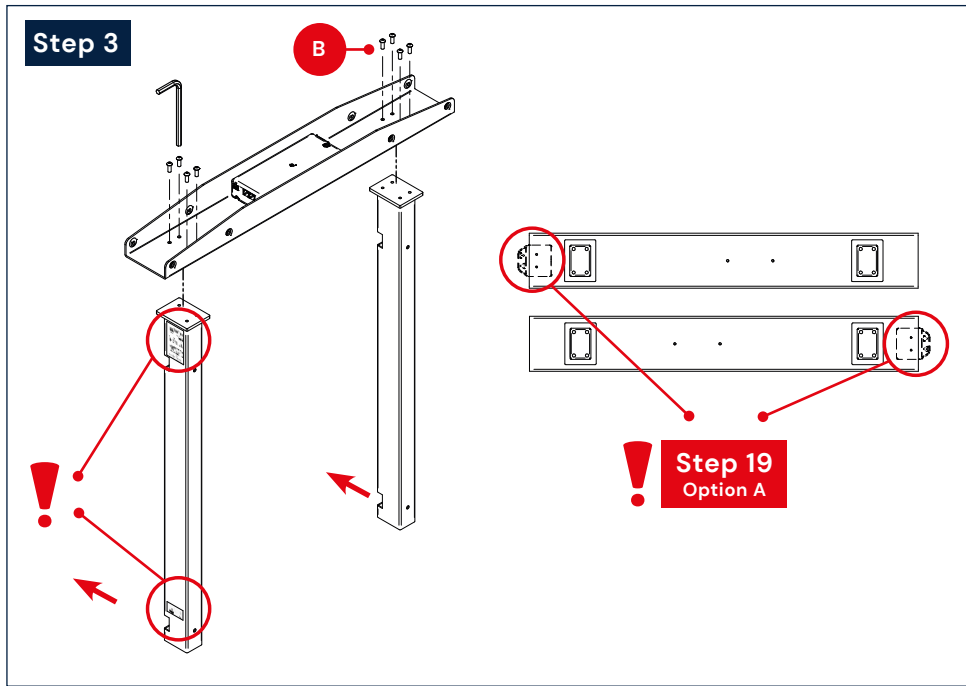
Parts

- Power supply unit (1x)
- Power cable (2x)
- AC power cord (1x)
- Vertical bracket (2x)
- Horizontal bracket (1x)
- Mounting plate (1x)
- Small L-bracket (4x)
- U-shaped bracket (4x)
- Small square plate (2x)
- Long horizontal bracket (4x)
- Vertical support (2x)
- Small rectangular plate (2x)
- Thin plate (1x)
- Thin tube (4x)
- Small square plate (8x)
- Small square plate (2x)
- Small square plate (8x)
- Screw A (M6x16, 4x)
- Screw B (M6x16, 20x)
- Screw C (M6x70, 4x)
- Screw D (5x35, 2x)
- Screw E (M6, 12x)
- Screw F (M6, 8x)
- Screw G (M6x90, 4x)
- Screw H (M4x12, 8x)
- Screw I (M4x12, 2x)
- Screw J (M4x12, 8x)
- Screw K (M4x12, 2x)
- Screw L (M4x12, 8x)
- Screw M (M4x12, 2x)
- Screw N (M4x12, 8x)
- Screw O (Screwdriver, 2x)

Step 1

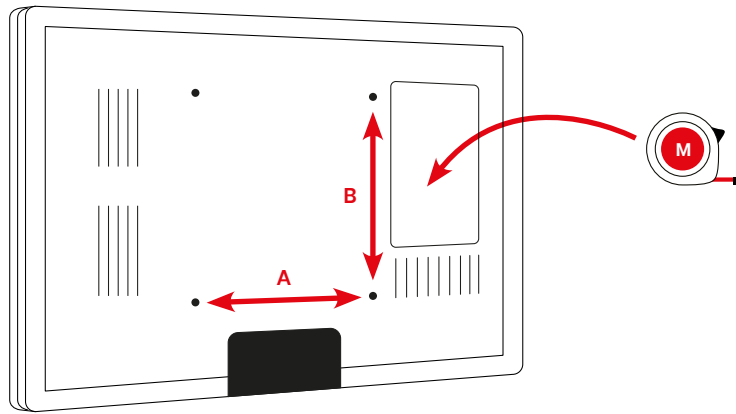
AC

Step 2

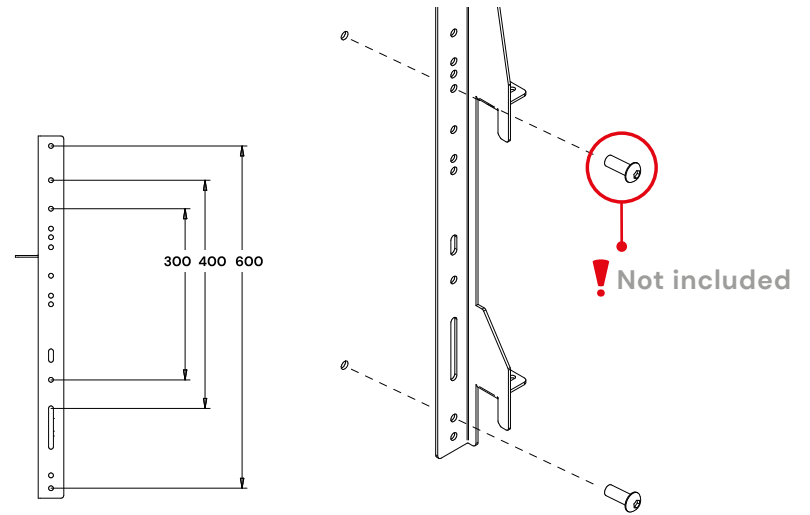


Step 8

VESA
A x B



Step 10



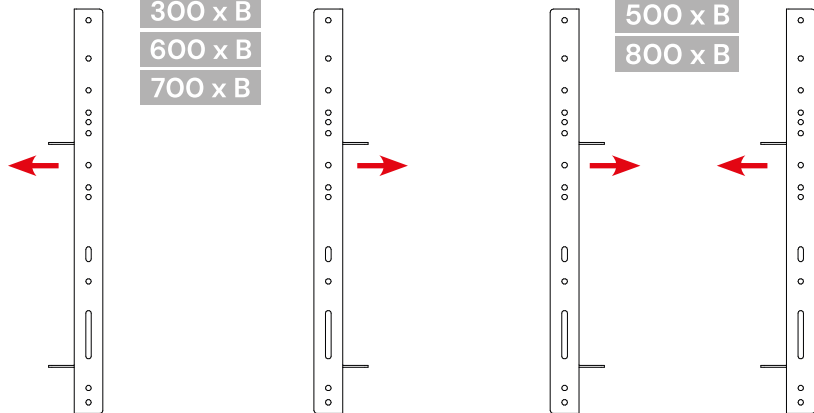
Step 9

VESA
A x B

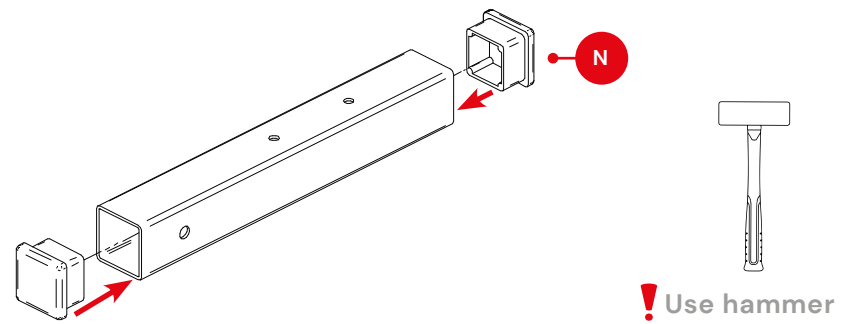
200 x B
300 x B
600 x B
700 x B

VESA
A x B

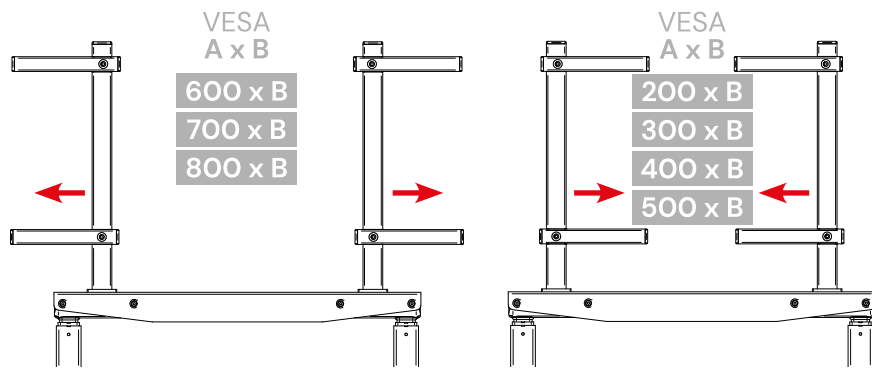
400 x B
500 x B
800 x B



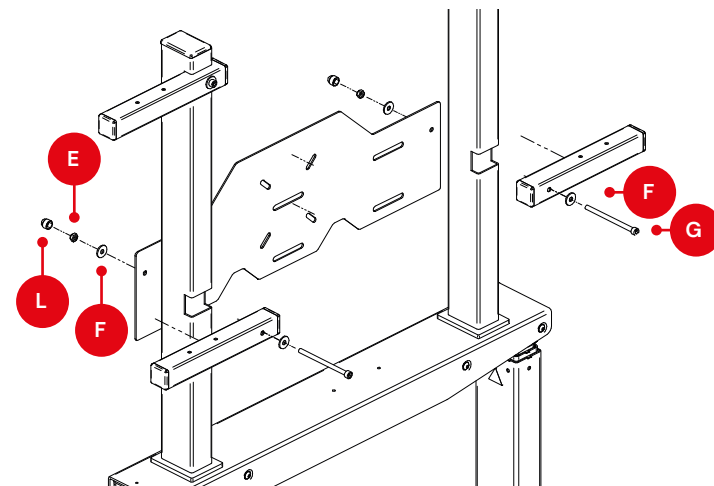
Step 11



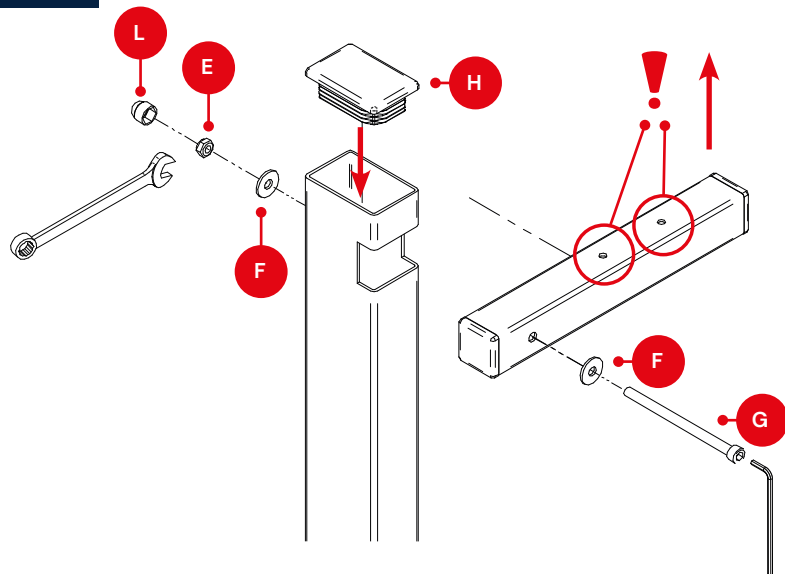
Step 12



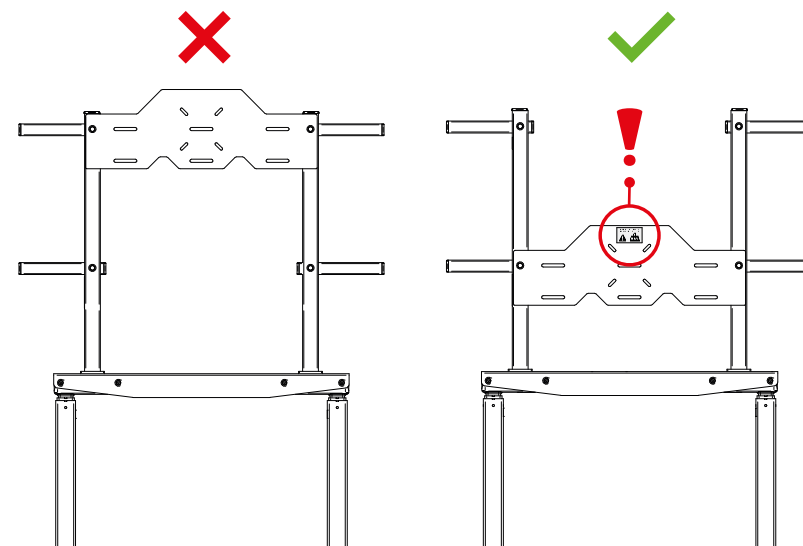
Step 14



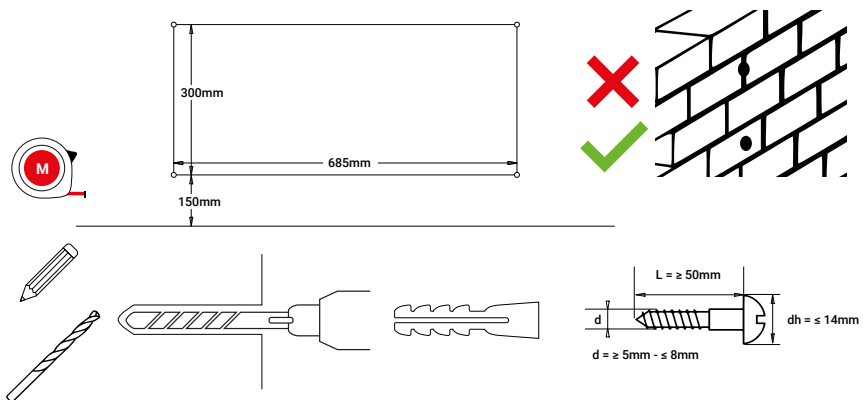
Step 13



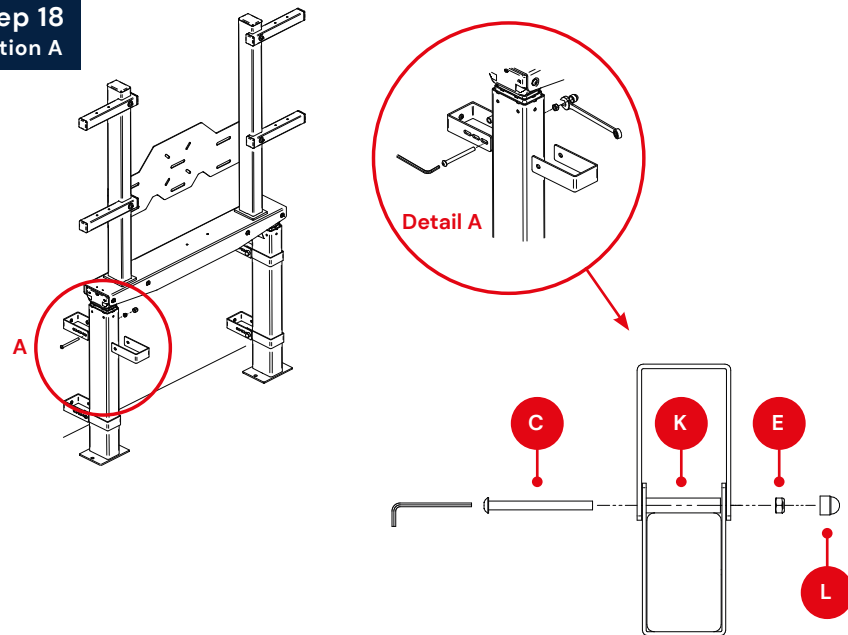
Step 15



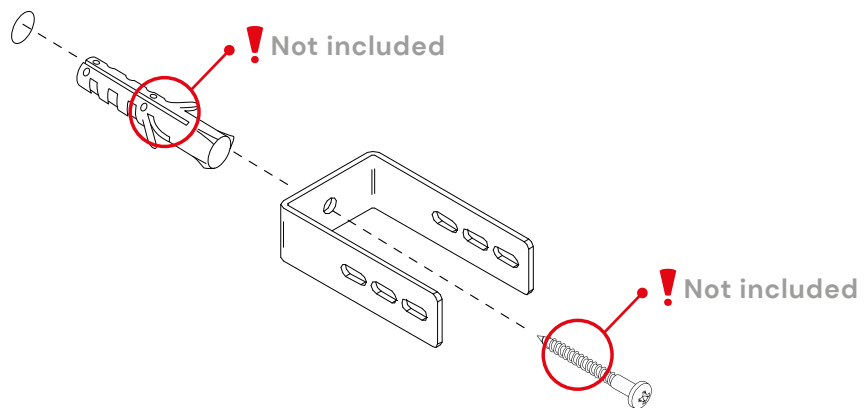
Step 16



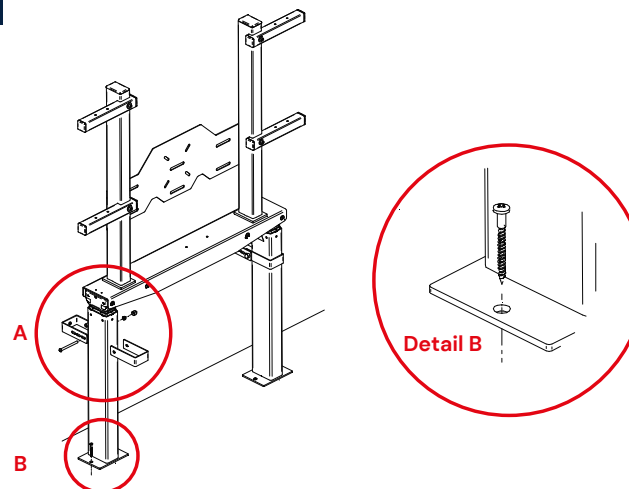
Step 18 Option A



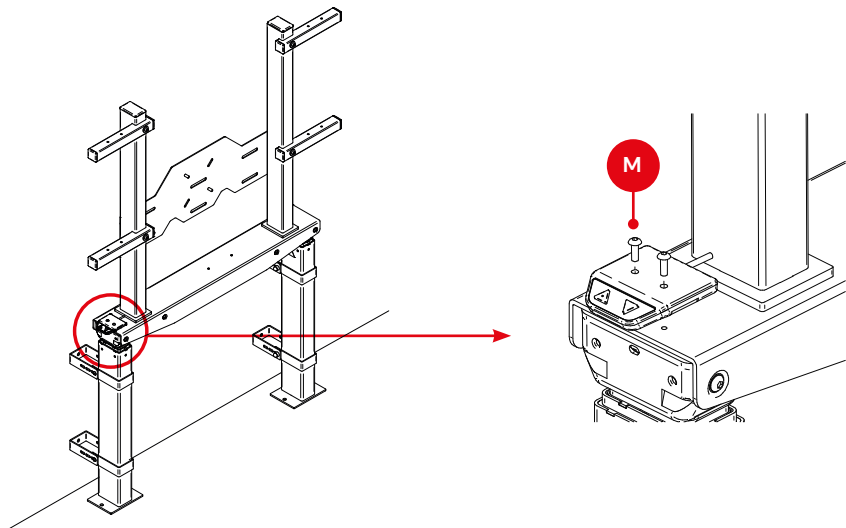
Step 17



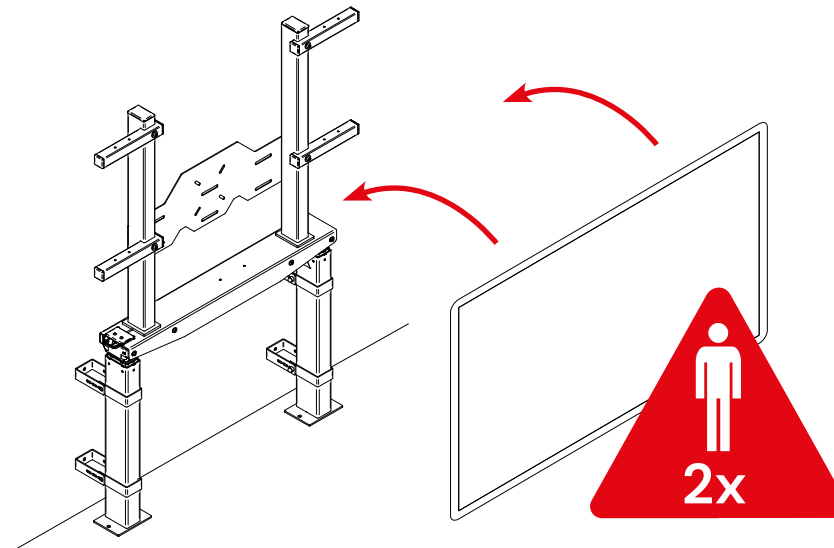
Step 18 Option B



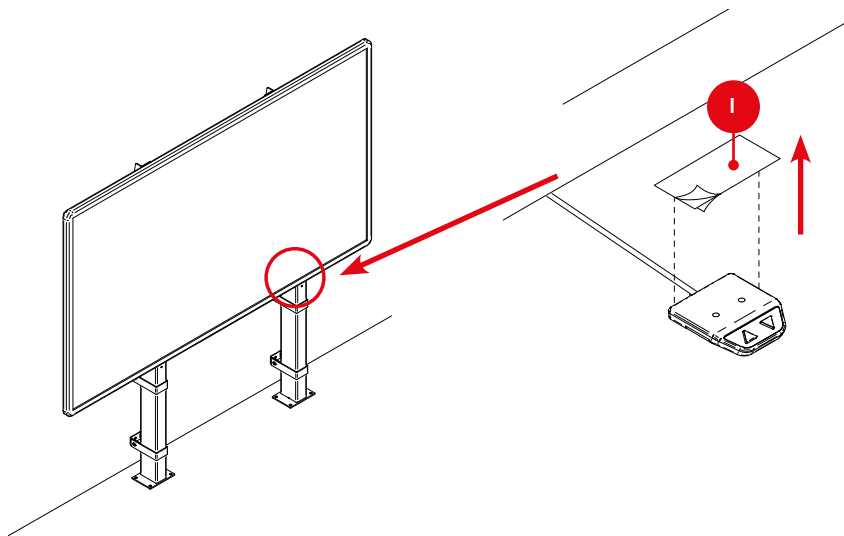
Step 19
Option A



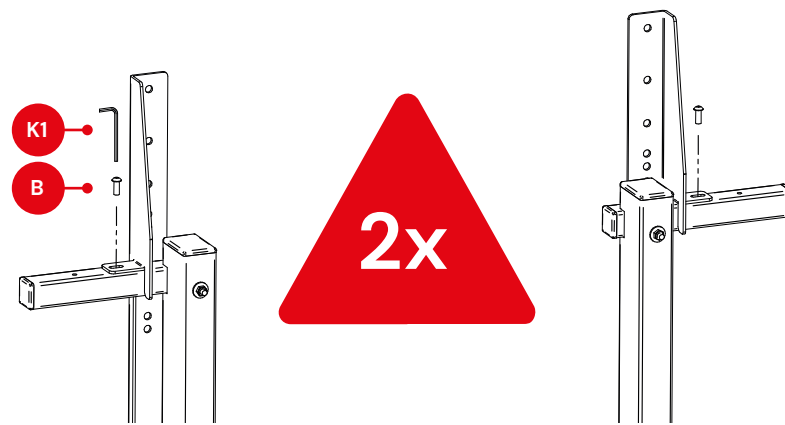
Step 20



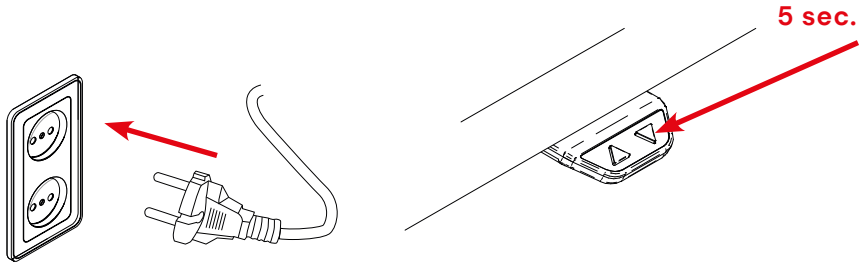
Step 19
Option B



Step 21



Step 22



Lined writing area for notes.

Lined writing area for notes.

