

**ERGO
XS**



Compact

Mobile & Wall

Slimline



Your message always supported.

The Slimline Compact is an electric dual column lift system that you can easily assemble yourself. We have it as a trolley – the Compact Mobile – and as a wall & floor mounted lift – the Compact Wall – and because we deliver them as DIY kits, we keep the transport costs low. Perfect for export and tenders!

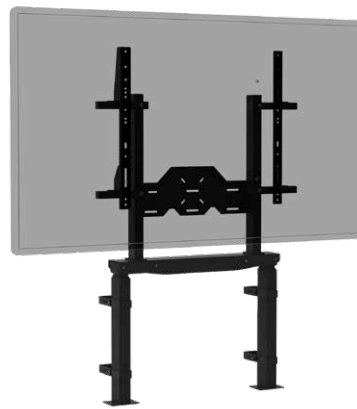
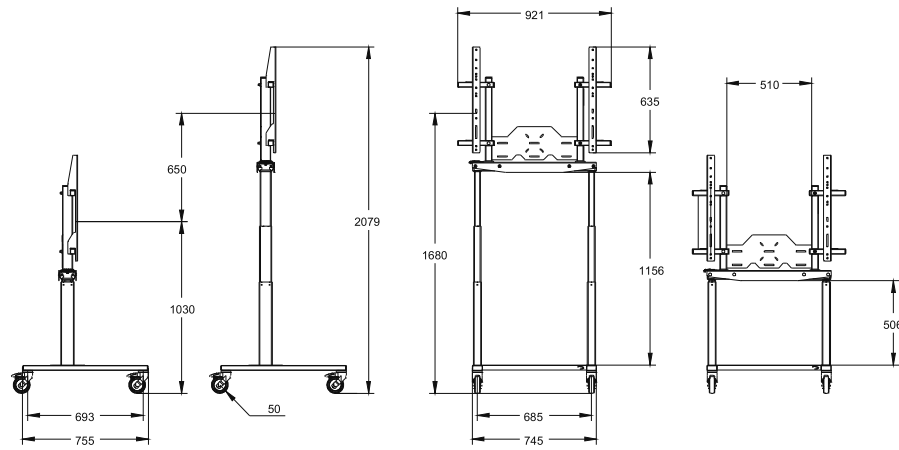
ergoxs.com

**ERGO
XS**

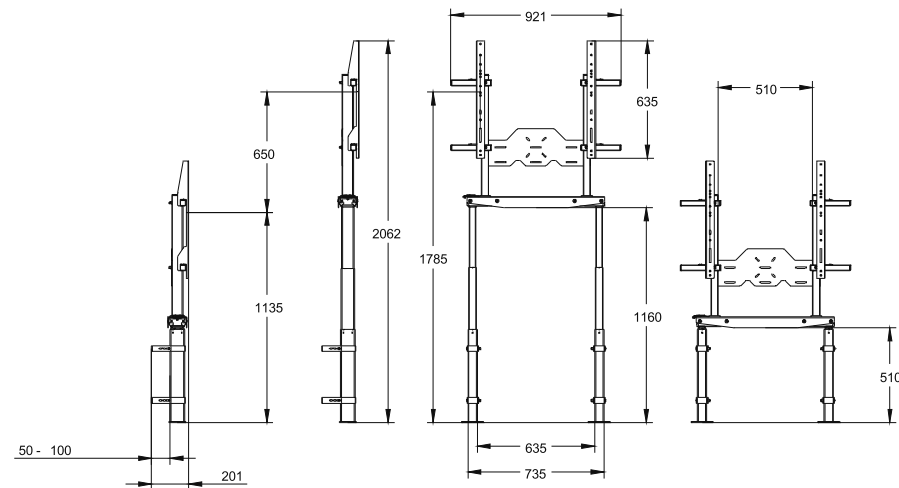
Technical drawings



Compact Mobile | EFF2221Z



Compact Wall | EFFW2231Z



Look and compare

Compact Mobile EFF2221Z

Compact Wall EFF2231Z



VESA (in mm)

200 x 200, 200 x 400, 300 x 300
300 x 400, 400 x 200, 400 x 300
400 x 400, 456 x 400, 500 x 400
600 x 200, 600 x 230, 600 x 400
700 x 400, 800 x 400, 800 x 600

200 x 200, 200 x 400, 300 x 300
300 x 400, 400 x 200, 400 x 300
400 x 400, 456 x 400, 500 x 400
600 x 200, 600 x 230, 600 x 400
700 x 400, 800 x 400, 800 x 600



Screen diagonal

Maximum 86 inch

Maximum 86 inch



Weight system

40 kg

38 kg



Max. load

Maximum 100 kg

Maximum 100 kg



Electrically adjustable height

Yes

Yes



Voltage

230 volt

230 volt



Safety Stop

Present

Present



Center size horizontal VESA attachment

103 - 168 cm

113 - 178 cm



Height adjustable

65 cm

65 cm



Colour

Black

Black



Quantity on pallet

Up to 20 pieces on one pallet

Up to 20 pieces on one pallet



Delivered assembled

Self-assembly

Self-assembly

Accessories



Bluetooth remote control for lift

ELECO59

Universal



Bluetooth dongle for lift

ELECO56

Universal



Laptop shelf

EFFLAP221Z

Universal